

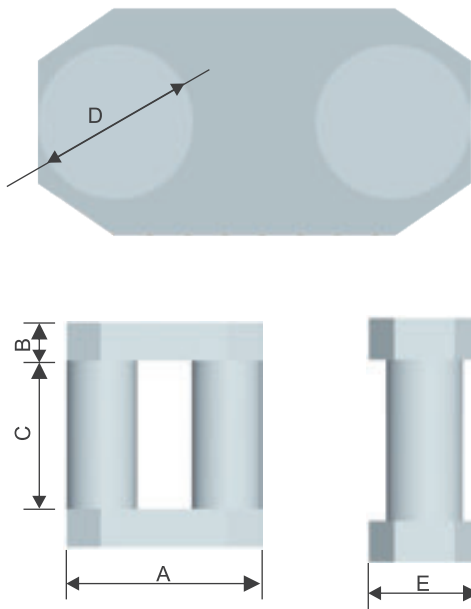
NPFR 4022 - 60

Permeability : 26 μ , 40 μ , 60 μ

Diameter : 40mm, Height : 22mm

Core Series : NPH, NPF, NPS

P/N	D mm	H mm	Ae cm ²	Ve cm ³	Core Series		
R1515	15	15	1.767	2.615	NPH	NPF	NPS
R1528	15	28.58	1.767	5.051	NPH	NPF	NPS
R2110	21	10	3.464	3.464	NPH	NPF	NPS
R2120	21	20	3.464	6.927	NPH	NPF	NPS
R2125	21	25	3.464	8.659	NPH	NPF	NPS
R2510	25	10	4.909	4.909	NPH	NPF	NPS
R2520	25	20	4.909	9.817	NPH	NPF	NPS
R2525	25	25	4.909	12.272	NPH	NPF	NPS
R2810	28	10	6.158	6.158	NPH	NPF	NPS
R2820	28	20	6.158	12.315	NPH	NPF	NPS
R2825	28	25	6.158	15.394	NPH	NPF	NPS
R3310	33	10	8.553	8.553	NPH	NPF	NPS
R3320	33	20	8.553	17.106	NPH	NPF	NPS
R3325	33	25	8.553	21.382	NPH	NPF	NPS
R4020	40	20	12.566	25.133	NPH	NPF	NPS
R4022	40	22	12.566	27.646	NPH	NPF	NPS
R4025	40	25	12.566	31.416	NPH	NPF	NPS



NPF-RH 80 43 050-60

Permeability : 26 μ , 40 μ , 60 μ

C : 50mm

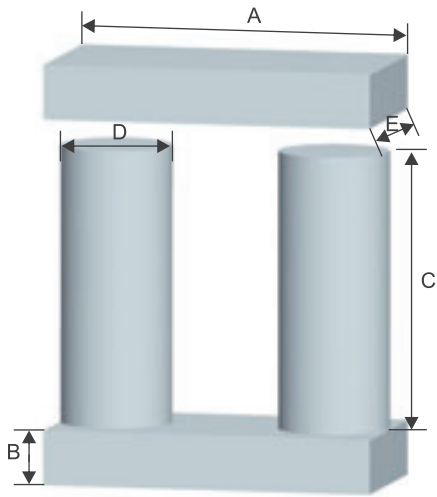
E : 43mm

A : 80.2mm

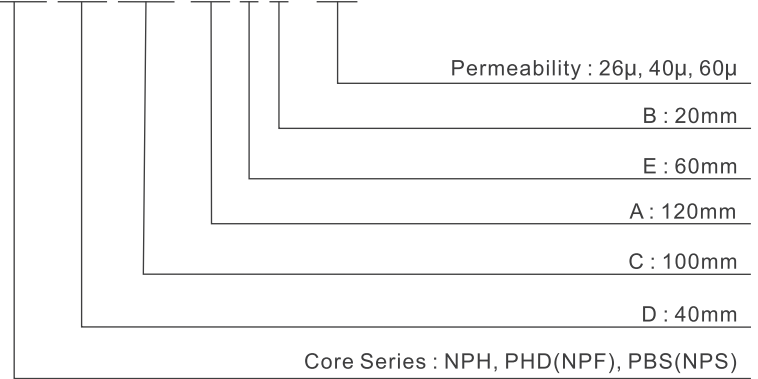
Rhombus core

Core Series : NPH, NPF, NPS

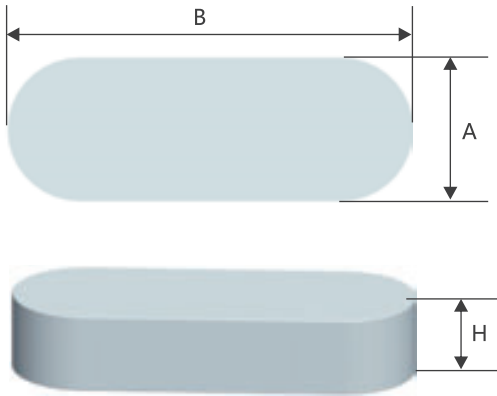
P/N	A mm	B mm	C mm	D mm	E mm	Wa cm ²	Ae cm ²	Le cm	Ve cm ³
NPF-RH8043040-60	80.20	15.50	40.00	28.00	43.00	9.680	6.158	21.54	152.2
NPF-RH8043050-60	80.20	15.50	50.00	28.00	43.00	12.100	6.158	23.54	168.5
NPF-RH8043060-60	80.20	15.50	60.00	28.00	43.00	14.520	6.158	25.54	180.8
NPF-RH8043075-60	80.20	15.50	75.00	28.00	43.00	18.150	6.158	28.54	199.3
NPF-RH8043080-60	80.20	15.50	80.00	28.00	43.00	19.360	6.158	29.54	205.4
NPF-RH8043100-60	80.20	15.50	100.00	28.00	43.00	24.200	6.158	33.54	230.1
NPF-RH8043120-60	80.20	15.50	120.00	28.00	43.00	29.040	6.158	37.54	254.7
NPF-RH8043125-60	80.20	15.50	125.00	28.00	43.00	30.250	6.158	38.54	260.8
NPF-RH9248040-60	92.20	18.00	40.00	33.00	48.10	10.480	8.553	23.44	228.1
NPF-RH9248050-60	92.20	18.00	50.00	33.00	48.10	13.100	8.553	25.44	245.2
NPF-RH9248060-60	92.20	18.00	60.00	33.00	48.10	15.720	8.553	27.44	262.3
NPF-RH9248075-60	92.20	18.00	75.00	33.00	48.10	19.650	8.553	30.44	287.9
NPF-RH9248080-60	92.20	18.00	80.00	33.00	48.10	20.960	8.553	31.44	296.5
NPF-RH9248100-60	92.20	18.00	100.00	33.00	48.10	26.200	8.553	35.44	330.7
NPF-RH9248120-60	92.20	18.00	120.00	33.00	48.10	31.440	8.553	39.44	364.9
NPF-RH9248125-60	92.20	18.00	125.00	33.00	48.10	32.750	8.553	40.44	373.5



PHD 40 100 12 6 2 - 60



P/N	A mm	B mm	C mm	D mm	E mm	Wa cm ²	Ae cm ²	Le cm	Ve cm ³
PHD4066-1262-60	120	20	66.0	40.0	60	26.400	12.566	33.20	453.9
PHD4088-1262-60	120	20	88.0	40.0	60	35.200	12.566	37.60	509.2
PHD40100-1262-60	120	20	100.0	40.0	60	40.000	12.566	40.00	539.3
PHD50120-14102-60	140	20	120.0	50.0	100	48.000	19.635	46.00	1031.2
PHD50130-14102-60	140	20	130.0	50.0	100	52.000	19.635	48.00	1070.5
PHD50140-14102-60	140	20	140.0	50.0	100	56.000	19.635	50.00	1109.8
PHD50150-14102-60	140	20	150.0	50.0	100	60.000	19.635	52.00	1149.0
PHD50160-14102-60	140	20	160.0	50.0	100	64.000	19.635	54.00	1188.3
PHD78120-22086-60	220	60	120.0	78.0	80	76.800	47.784	64.40	3258.8
PHD78130-22086-60	220	60	130.0	78.0	80	83.200	47.784	66.40	3354.4
PHD78140-22086-60	220	60	140.0	78.0	80	89.600	47.784	68.40	3449.9
PHD78150-22086-60	220	60	150.0	78.0	80	96.000	47.784	70.40	3545.5
PHD78160-22086-60	220	60	160.0	78.0	80	102.400	47.784	72.40	3641.1
PHD104120-26118-60	260	80	120.0	104.0	110	62.400	84.949	71.20	6614.8
PHD104130-26118-60	260	80	130.0	104.0	110	67.600	84.949	73.20	6784.7
PHD104140-26118-60	260	80	140.0	104.0	110	72.800	84.949	75.20	6954.6
PHD104150-26118-60	260	80	150.0	104.0	110	78.000	84.949	77.20	7124.5
PHD104160-26118-60	260	80	160.0	104.0	110	83.200	84.949	79.20	7294.4



NPF TY A B H - 60

Permeability : 26 μ , 40 μ , 60 μ

H : Height(mm)

B : Length(mm)

A : Width(mm)

Ellipse core

Core Series : NPH, NPF, NPS

TYPE	PN	PN	PN	A mm	B mm	H mm	Ae cm ²
TY111719	NPFTY111719	NPSTY111719	NPHTY111719	11	17	19	1.6103
TY121819	NPFTY121819	NPSTY121819	NPHTY121819	12	18	19	1.8510
TY151814	NPFTY151814	NPSTY151814	NPHTY151814	15	18	14	2.2171
TY162210	NPFTY162210	NPSTY162210	NPHTY162210	16	22	10	2.9706
TY162211	NPFTY162211	NPSTY162211	NPHTY162211	16	22	11	2.9706
TY162217	NPFTY162217	NPSTY162217	NPHTY162217	16	22	17	2.9706
TY162222	NPFTY162222	NPSTY162222	NPHTY162222	16	22	22	2.9706
TY162233	NPFTY162233	NPSTY162233	NPHTY162233	16	22	33	2.9706
TY181820	NPFTY181820	NPSTY181820	NPHTY181820	18	18	20	2.5447
TY195006	NPFTY195006	NPSTY195006	NPHTY195006	19	50	06	8.7253
TY195008	NPFTY195008	NPSTY195008	NPHTY195008	19	50	8.8	8.7253
TY195508	NPFTY195508	NPSTY195508	NPHTY195508	19	55	8.8	9.6753
TY211820	NPFTY211820	NPSTY211820	NPHTY211820	21	18	20	2.8336
TY214510	NPFTY214510	NPSTY214510	NPHTY214510	21	45	10	8.5036
TY214520	NPFTY214520	NPSTY214520	NPHTY214520	21	45	20	8.5036
TY214525	NPFTY214525	NPSTY214525	NPHTY214525	21	45	25	8.5036
TY244320	NPFTY244320	NPSTY244320	NPHTY244320	24	43	20	9.0839
TY265410	NPFTY265410	NPSTY265410	NPHTY265410	26	54	10	12.5893
TY265420	NPFTY265420	NPSTY265420	NPHTY265420	26	54	20	12.5893
TY265425	NPFTY265425	NPSTY265425	NPHTY265425	26	54	25	12.5893
TY281820	NPFTY281820	NPSTY281820	NPHTY281820	28	18	20	3.3575